

# FoliarDB

Leaf Wetness Sensor



Hydrology



Meteorology



Agrometeorology



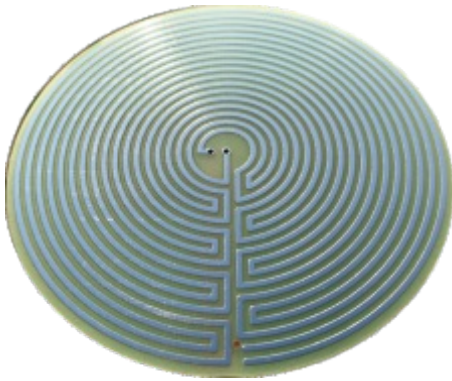
Sun



Wind







### APPLICATIONS



Hydrology



Meteorology



Agrometeorology



Sun



Wind

### OVERVIEW

The leaf wetness sensor **FoliarDB** consists of chrome conductive surface on a fiberglass board, which provides greater durability. Its fsize is compatible with the **STH-01** radiation shield, making installation easier.

### SPECIFICATIONS

#### Electrical resistance

0 to 10 MΩ

#### Operating Range

-40 to 80 °C | 0 to 100% UR

#### Board type

Fiberglass

#### Cable Length<sup>(1)</sup>

3 meters (standard)

#### Chrome layer (minimum)

0,1 mm

### PRODUCT DETAILS

- Chromed conductive surface;
- Fiberglass board;
- High durability;
- Polyurethane cable with UV filter;
- Ideal size to be used with the STH-01 radiation shield;
- Fuction principle based on the measurement of electrical resistance variations.

**NOTE: 1** - Can be supplied with other cable sizes.

- **FoliarDB-E:** Available in special versions. To order please contact us.



Features may change without prior notice. Mar/2019

### MANUFACTURER



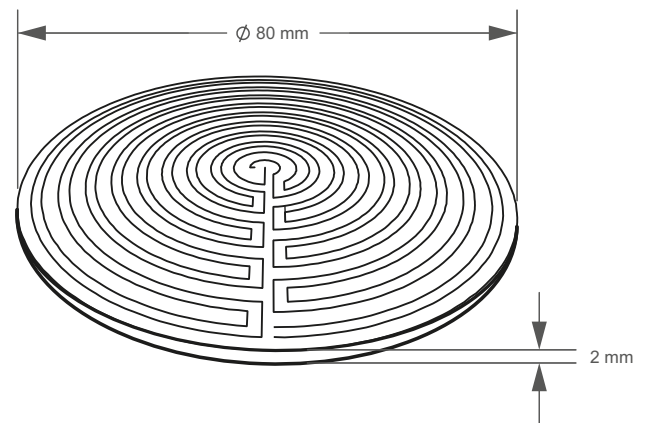
**Manufacturer:** Dualbase Tecnologia Eletrônica LTDA.

**Brand:** Dualbase

**Model:** FoliarDB

**Type:** Leaf wetness sensor

### DIMENSIONS



### REPRESENTATIVE